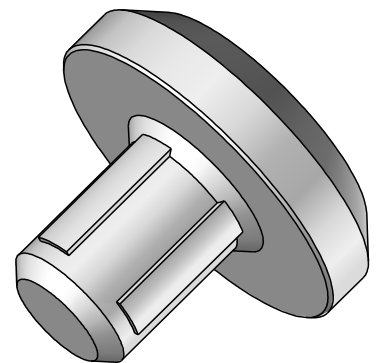
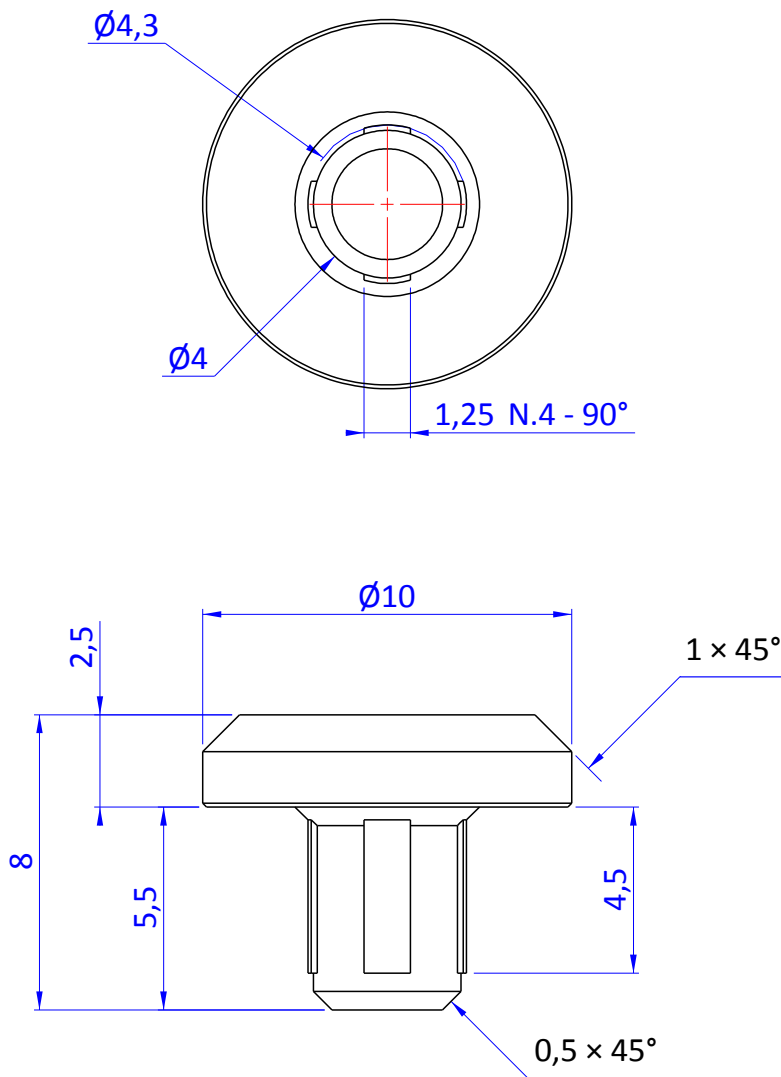

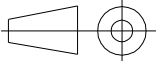


THE PROPERTY OF THE DRAWING IS ESTABLISHED BY LAW. IT IS FORBIDDEN TO PRODUCE OR SHOW IT TO THIRD PART, WITHOUT A WRITTEN AGREEMENT.



 FPS FPSERVICES AUTOMATION			DESIGNED FROM	REVIEW	SCALA
			FPS Automation	A	7 : 1
Format A4 UNI 936-76	GENERAL TOLERANCE	MATERIALE	DATE	WEIGHT	
	UNI - ISO 2768 CLASSE f	Polyvinyle Chloride (Soft)	15/05/2017	0,000kg	
			CODE	PPS.1406.07	